

*FunnyFlat è prodotto in acciaio laminato a freddo, la parte radiante è composta da tubi ovali, dim. 70x11 mm a cui è applicata una lastra in acciaio da dim. 1.5 mm di spessore. Collettori in tubo tondo Ø 32 mm con filettature da 1/2". Temperatura massima 95°C. Pressione di esercizio max 5 bar.*

*FunnyFlat is made in cold rolled steel, the radiant part is composed of oval tubes, dim. 70x11 mm to which a steel sheet of dim. 1.5 mm thickness is applied. Manifolds in round tube Ø 32 mm with 1/2" threads. Maximum working temperature 95°C. Maximum operating pressure 5 bar.*

*FunnyFlat est fabriqué en acier laminé à froid, la partie radiante est composée de tubes ovales, dim. 70x11 mm sur lesquels est appliquée une tôle d'acier dim. 1.5 mm d'épaisseur. Collecteurs à tube rond Ø 32 mm avec un filetage de 1/2 ". Température maximum 95°C. Pression de fonctionnement 5 bar.*



## Bianco e colori - White and colours - Blanc et couleurs

CODICE	I	C	H	L	Watt Δt50°C
FF01-60037	50	550	600	376	265
FF01-60045	50	550	600	451	318
FF01-60052	50	550	600	526	371
FF01-60060	50	550	600	601	424
FF01-60075	50	550	600	751	530
FF01-90037	50	850	900	376	340
FF01-90045	50	850	900	451	408
FF01-90052	50	850	900	526	525
FF01-90060	50	850	900	601	544
FF01-90075	50	850	900	751	680
FF01-100037	50	950	1000	376	415
FF01-100045	50	950	1000	451	498
FF01-100052	50	950	1000	526	581
FF01-100060	50	950	1000	601	664
FF01-100075	50	950	1000	751	830
FF01-120037	50	1150	1200	376	490
FF01-120045	50	1150	1200	451	588
FF01-120052	50	1150	1200	526	686
FF01-120060	50	1150	1200	601	784
FF01-120075	50	1150	1200	751	980
FF01-150037	50	1450	1500	376	615
FF01-150045	50	1450	1500	451	738
FF01-150052	50	1450	1500	526	861
FF01-150060	50	1450	1500	601	984
FF01-150075	50	1450	1500	751	1230
FF01-180037	50	1750	1800	376	730
FF01-180045	50	1750	1800	451	876
FF01-180052	50	1750	1800	526	1022
FF01-180060	50	1750	1800	601	1168
FF01-180075	50	1750	1800	751	1460
FF01-200037	50	1950	2000	376	815
FF01-200045	50	1950	2000	451	978
FF01-200052	50	1950	2000	526	1141
FF01-200060	50	1950	2000	601	1304
FF01-200075	50	1950	2000	751	1630
FF01-220037	50	2150	2200	376	890
FF01-220045	50	2150	2200	451	1068
FF01-220052	50	2150	2200	526	1246
FF01-220060	50	2150	2200	601	1424
FF01-220075	50	2150	2200	751	1780
FF01-250037	50	2450	2500	376	1010
FF01-250045	50	2450	2500	451	1212
FF01-250052	50	2450	2500	526	1414
FF01-250060	50	2450	2500	601	1616
FF01-250075	50	2450	2500	751	2020



SCHEDA  
TECNICA  
COMPLETA  
FunnyFlat

## Accessori idraulici disponibili - Accessories - accessoires

TWIN



CORNER



CILINDER



REVERSE



THERMOSTATIC  
HEAD

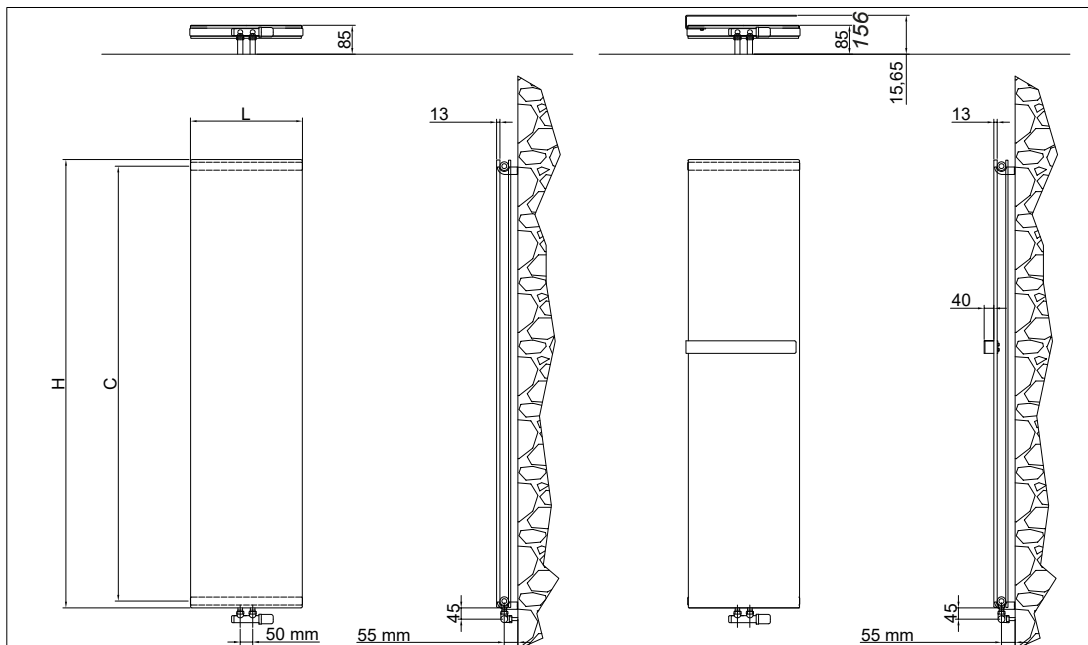


MONOTUBO  
VERTICALE



COPRITUBO  
COVER PIPE  
COUVRE TUBE





*FunnyFlat è prodotto in acciaio laminato a freddo, la parte radiante è composta da tubi ovali, dim. 70x11 mm a cui è applicata una lastra in acciaio da dim. 1.5 mm di spessore. Collettori in tubo tondo Ø 32 mm con filettature da 1/2". Temperatura massima 95°C. Pressione di esercizio max 5 bar.*

*FunnyFlat is made in cold rolled steel, the radiant part is composed of oval tubes, dim. 70x11 mm to which a steel sheet of dim. 1.5 mm thickness is applied. Manifolds in round tube Ø 32 mm with 1/2" threads. Maximum working temperature 95°C. Maximum operating pressure 5 bar.*

*FunnyFlat est fabriqué en acier laminé à froid, la partie radiante est composée de tubes ovales, dim. 70x11 mm sur lesquels est appliquée une tôle d'acier dim. 1.5 mm d'épaisseur. Collecteurs à tube rond Ø 32 mm avec un filetage de 1/2 ". Température maximum 95°C. Pression de fonctionnement 5 bar.*



## Bianco e colori - White and colours - Blanc et couleurs

CODICE	I	C	H	L	Watt $\Delta t50^{\circ}C$
FF02/60037	50	550	600	376	395
FF02/60045	50	550	600	451	474
FF02/60052	50	550	600	526	553
FF02/60060	50	550	600	601	632
FF02/60075	50	550	600	751	790
FF02/90037	50	850	900	376	560
FF02/90045	50	850	900	451	672
FF02/90052	50	850	900	526	784
FF02/90060	50	850	900	601	896
FF02/90075	50	850	900	751	790
FF02/100037	50	950	1000	376	620
FF02/100045	50	950	1000	451	744
FF02/100052	50	950	1000	526	868
FF02/100060	50	950	1000	601	992
FF02/100075	50	950	1000	751	1240
FF02/120037	50	1150	1200	376	735
FF02/120045	50	1150	1200	451	882
FF02/120052	50	1150	1200	526	1029
FF02/120060	50	1150	1200	601	1176
FF02/120075	50	1150	1200	751	1470
FF02/150037	50	1450	1500	376	915
FF02/150045	50	1450	1500	451	1098
FF02/150052	50	1450	1500	526	1281
FF02/150060	50	1450	1500	601	1464
FF02/150075	50	1450	1500	751	1830
FF02/180037	50	1750	1800	376	1095
FF02/180045	50	1750	1800	451	1314
FF02/180052	50	1750	1800	526	1533
FF02/180060	50	1750	1800	601	1752
FF02/180075	50	1750	1800	751	2190
FF02/200037	50	1950	2000	376	1220
FF02/200045	50	1950	2000	451	1464
FF02/200052	50	1950	2000	526	1708
FF02/200060	50	1950	2000	601	1952
FF02/200075	50	1950	2000	751	2440
FF02/220037	50	2150	2200	376	1335
FF02/220045	50	2150	2200	451	1602
FF02/220052	50	2150	2200	526	1869
FF02/220060	50	2150	2200	601	2136
FF02/220075	50	2150	2200	751	2670
FF02/250037	50	2450	2500	376	1515
FF02/250045	50	2450	2500	451	1818
FF02/250052	50	2450	2500	526	2121
FF02/250060	50	2450	2500	601	2424
FF02/250075	50	2450	2500	751	3030



SCHEDA  
TECNICA  
COMPLETA  
FunnyFlat  
FF02

## Accessori idraulici disponibili - Accessories - accessoires

TWIN



CORNER



CILINDER



REVERSE



THERMOSTATIC  
HEAD



MONOTUBO  
VERTICALE



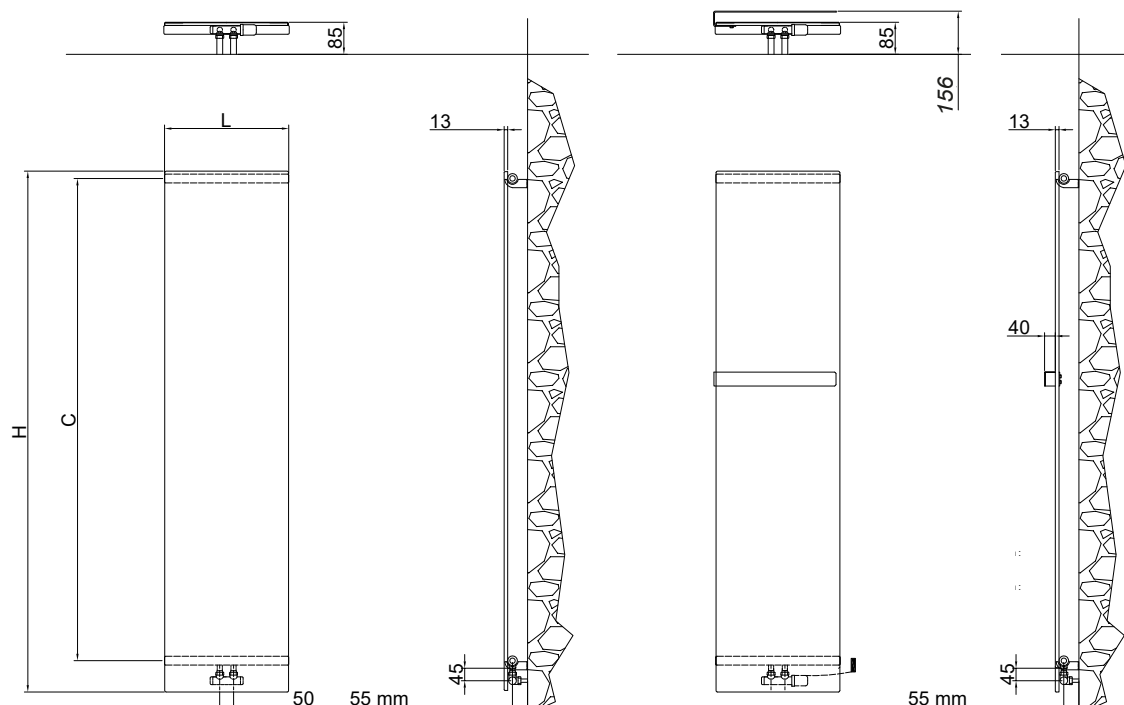
COPRITUBO  
COVER PIPE  
COUVRE TUBE





# FunnyFlat FFCV

Verticale con valvole sotto nascoste



FunnyFlat è prodotto in acciaio laminato a freddo, la parte radiante è composta da tubi ovali, dim. 70x11 mm a cui è applicata una lastra in acciaio da dim. 1.5 mm di spessore. Collettori in tubo tondo Ø 32 mm con filettature da 1/2". Temperatura massima 95°C. Pressione di esercizio max 5 bar.

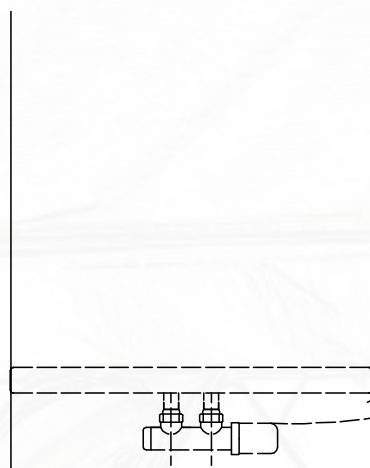
FunnyFlat is made in cold rolled steel, the radiant part is composed of oval tubes, dim. 70x11 mm to which a steel sheet of dim. 1.5 mm thickness is applied. Manifolds in round tube Ø 32 mm with 1/2" threads. Maximum working temperature 95°C. Maximum operating pressure 5 bar.

FunnyFlat est fabriqué en acier laminé à froid, la partie radiante est composée de tubes ovales, dim. 70x11 mm sur lesquels est appliquée une tôle d'acier dim. 1.5 mm d'épaisseur. Collecteurs à tube rond Ø 32 mm avec un filetage de 1/2". Température maximum 95°C. Pression de fonctionnement 5 bar.



## Bianco e colori - White and colours - Blanc et couleur

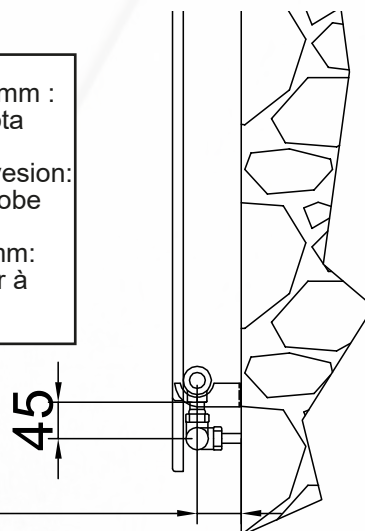
CODICE	I	H	L	Watt $\Delta t 50^{\circ}\text{C}$
FFCV/10903	50	1090	376	415
FFCV/10904	50	1090	451	498
FFCV/10905	50	1090	526	581
FFCV/10906	50	1090	601	664
FFCV/10907	50	1090	751	830
FFCV/12903	50	1290	376	490
FFCV/12904	50	1290	451	588
FFCV/12905	50	1290	526	686
FFCV/12906	50	1290	601	784
FFCV/12907	50	1290	751	980
FFCV/15903	50	1590	376	615
FFCV/15904	50	1590	451	738
FFCV/15905	50	1590	526	861
FFCV/15906	50	1590	601	984
FFCV/15907	50	1590	751	1230
FFCV/18903	50	1890	376	730
FFCV/18904	50	1890	451	876
FFCV/18905	50	1890	526	1022
FFCV/18906	50	1890	601	1168
FFCV/18907	50	1890	751	1460
FFCV/19503	50	2090	376	615
FFCV/19504	50	2090	451	738
FFCV/19505	50	2090	526	861
FFCV/19506	50	2090	601	984
FFCV/19507	50	2090	751	1230



Consigliata per versione cover 50mm :  
testa termostatica con sonda remota

Recommended for 50 mm cover vesion:  
Thermostatic head with remote probe

Raccomandé pour la version 50 mm:  
Tête thermostatique avec capteur à  
dittance



SCHEDA  
TECNICA  
COMPLETA  
FunnyFlat  
FFCV

## Accessori idraulici disponibili - Accessories - accessoires

TWIN



CORNER



CILINDER



REVERSE



THERMOSTATIC  
HEAD

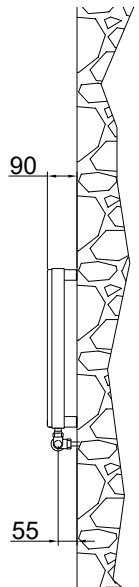
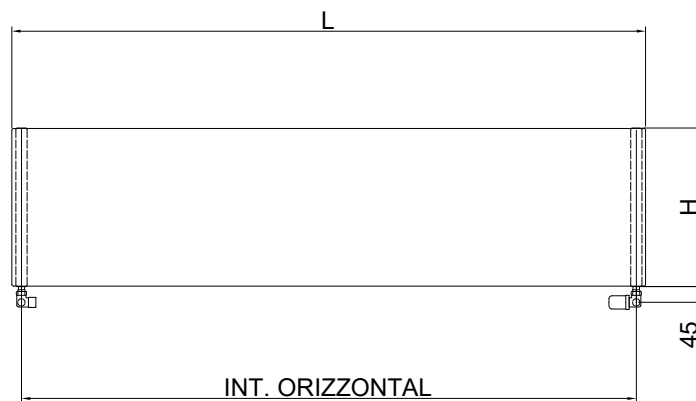


MONOTUBO  
VERTICALE



COPRITUBO  
COVER PIPE  
COUVRE TUBE





*FunnyFlat è prodotto in acciaio laminato a freddo, la parte radiante è composta da tubi ovali, dim. 70x11 mm a cui è applicata una lastra in acciaio da dim. 1.5 mm di spessore. Collettori in tubo tondo Ø 32 mm con filettature da 1/2". Temperatura massima 95°C. Pressione di esercizio max 5 bar.*

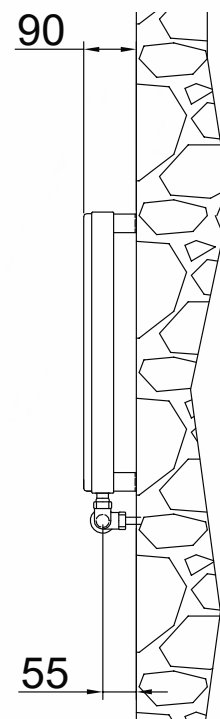
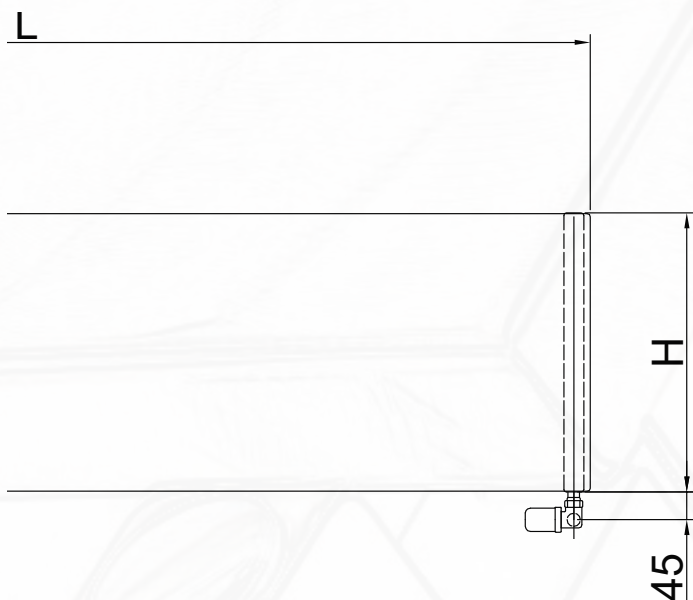
*FunnyFlat is made in cold rolled steel, the radiant part is composed of oval tubes, dim. 70x11 mm to which a steel sheet of dim. 1.5 mm thickness is applied. Manifolds in round tube Ø 32 mm with 1/2" threads. Maximum working temperature 95°C. Maximum operating pressure 5 bar.*

*FunnyFlat est fabriqué en acier laminé à froid, la partie radiante est composée des tubes ovales dim. 70x11 mm sur lesquels est appliquée une tôle d'acier dim. 1.5 mm d'épaisseur, de montants ronds Ø 32 mm avec un filetage de 1/2 ". Température maximum 95°C. Pression de fonctionnement 5 bar.*



Bianco e colori - White and colourus - Blanc et couleurs

CODICE	I	H	L	Watt $\Delta t50^{\circ}\text{C}$
FFOR/10003	930	1000	376	415
FFOR/10004	930	1000	451	498
FFOR/10005	930	1000	526	581
FFOR/10006	930	1000	601	664
FFOR/10007	930	1000	751	830
FFOR/12003	1130	1200	376	490
FFOR/12004	1130	1200	451	588
FFOR/12005	1130	1200	526	686
FFOR/12006	1130	1200	601	784
FFOR/12007	1130	1200	751	980
FFOR/15003	1430	1500	376	615
FFOR/15004	1430	1500	451	738
FFOR/15005	1430	1500	526	861
FFOR/15006	1430	1500	601	984
FFOR/15007	1430	1500	751	1230
FFOR/18003	1730	1800	376	730
FFOR/18004	1730	1800	451	876
FFOR/18005	1730	1800	526	1022
FFOR/18006	1730	1800	601	1168
FFOR/18007	1730	1800	751	1460



SCHEDA  
TECNICA  
COMPLETA  
FunnyFlat  
FFOR

### Accessori idraulici disponibili - Accessories - accessoires

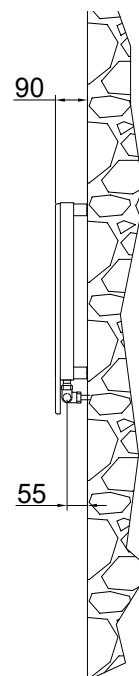
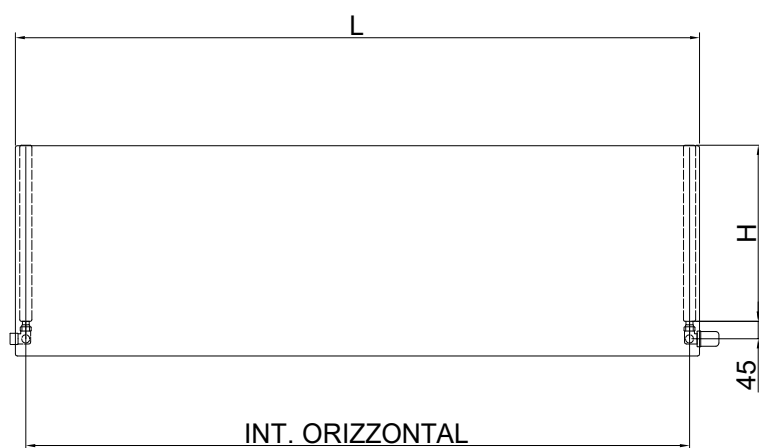






# FunnyFlat FFORC

Orizzontale con valvole nascoste



*FunnyFlat è prodotto in acciaio laminato a freddo, la parte radiante è composta da tubi ovali, dim. 70x11 mm a cui è applicata una lastra in acciaio da dim. 1.5 mm di spessore. Collettori in tubo tondo Ø 32 mm con filettature da 1/2". Temperatura massima 95°C. Pressione di esercizio max 5 bar.*

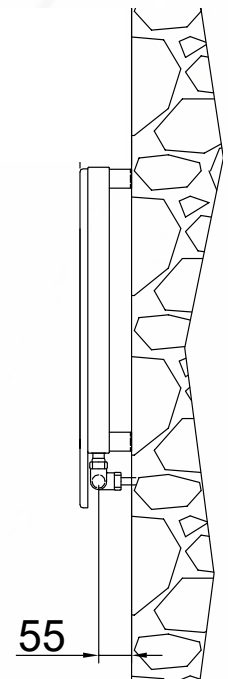
*FunnyFlat is made in cold rolled steel, the radiant part is composed of oval tubes, dim. 70x11 mm to which a steel sheet of dim. 1.5 mm thickness is applied. Manifolds in round tube Ø 32 mm with 1/2" threads. Maximum working temperature 95°C. Maximum operating pressure 5 bar.*

*FunnyFlat est fabriqué en acier laminé à froid, la partie radiante est composée des tubes ovales dim. 70x11 mm sur lesquels est appliquée une tôle d'acier dim 1.5 mm d'épaisseur, de montants ronds Ø 32 mm avec un filetage de 1/2 ". Température maximum 95°C. Pression de fonctionnement 5 bar.*



**Bianco e colori - White and colours - Blanc et couleurs**

CODICE	I	C	L	H	Watt $\Delta t50^{\circ}\text{C}$
FFORC/10003	950	376	1000	466	415
FFORC/10004	950	451	1000	541	498
FFORC/10005	950	526	1000	616	581
FFORC/10006	950	601	1000	691	664
FFORC/10007	950	751	1000	841	830
FFORC/12003	1150	376	1200	466	490
FFORC/12004	1150	451	1200	541	588
FFORC/12005	1150	526	1200	616	686
FFORC/12006	1150	601	1200	691	784
FFORC/12007	1150	751	1200	841	980
FFORC/15003	1450	376	1500	466	615
FFORC/15004	1450	451	1500	541	738
FFORC/15005	1450	526	1500	616	861
FFORC/15006	1450	601	1500	691	984
FFORC/15007	1450	751	1500	841	1230
FFORC/18003	1750	376	1800	466	730
FFORC/18004	1750	451	1800	541	876
FFORC/18005	1750	526	1800	616	1022
FFORC/18006	1750	601	1800	691	1168
FFORC/18007	1750	751	1800	841	1460



SCHEDA  
TECNICA  
COMPLETA  
FunnyFlat  
FFORC

**Accessori idraulici disponibili - Accessories - accessoires**

